



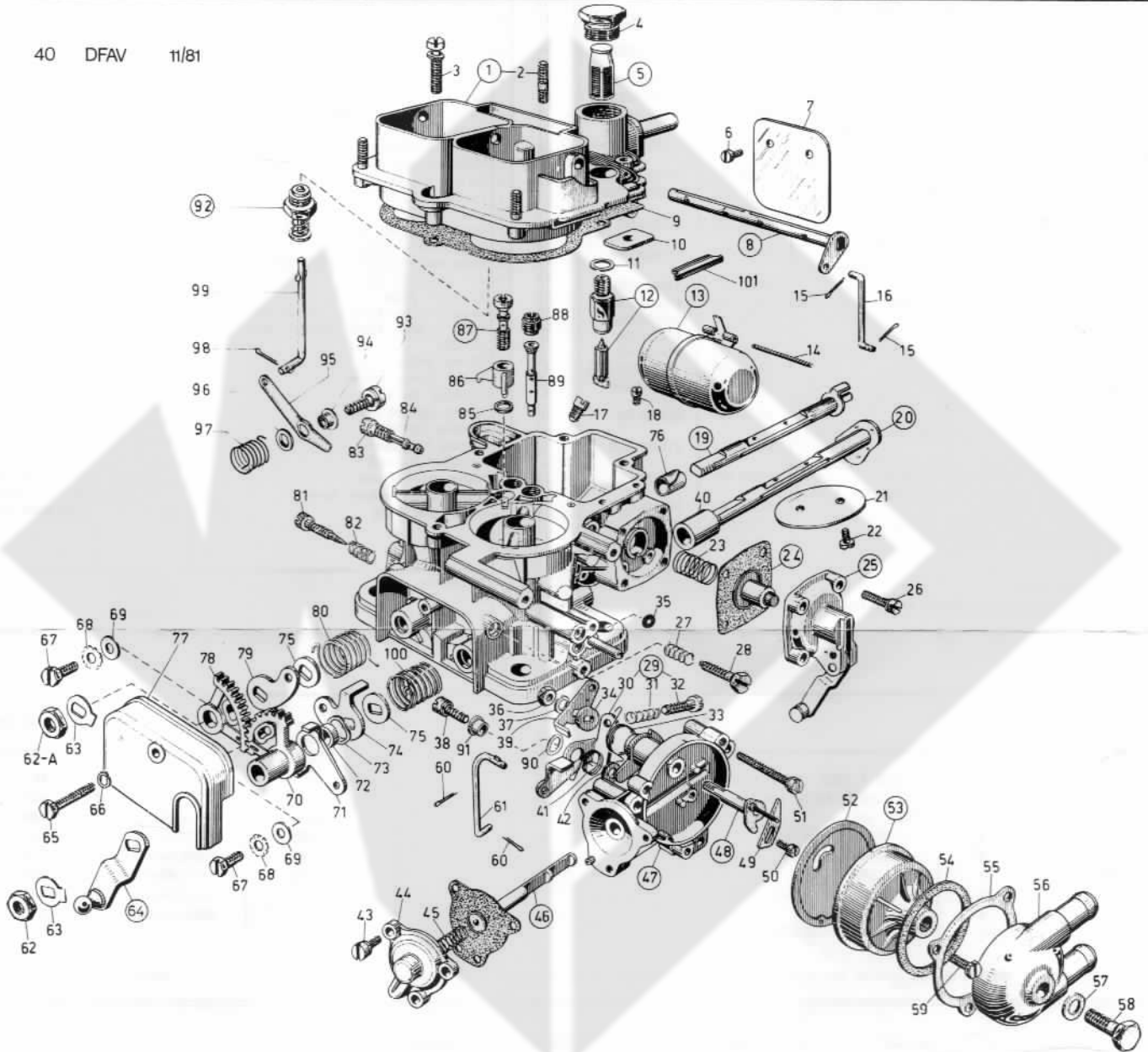
WEBER CARBURETTORS

40 DFAV

FORD CAPRI V6

FORD ZODIAC Mk. IV

40 DFAV 11/81



ORDERS : When placing orders, always mention reference number of requested parts, as well as type and number of carburetor.

Key Nr.	Qty	PART NAME	Ref. number		Nr. Key	Qty	PART NAME	Ref. number	
			WEBER	FORD				WEBER	FORD
1	1	Carburetor cover assembly, including :	31716.092	682F-952F-A-A	27	1	Spring (CARB. IDLING ADJUSTING SCREW)	47600.007	116E-9578
2	3	— stud bolt (CARB.TO AIR CLEANER)	64955.002	2725E-9A659-A	28	1	Screw (CARB. IDLING ADJUSTMENT)	64625.001	2725E-9B538-A
3	5	Screw and washer assy fixing cover	64700.005	113022-ES8	29	1	Lever assy (CARB. FAST IDLING) adjusting, including :	45041.001	2725E-9538-A
4	1	Strainer inspection plug	61002.018	2725E-9A540-A	30	1	— Lever (CARB. FAST IDLING) adjusting	45039.001	2725E-9B792-A
5	1	Strainer assy (CARB. FUEL INLET)	37022.003	2735E-9L541-A	31	1	— Spring (CARB. FAST IDLE ADJUSTING SCREW)	47600.007	116E-9578-B
6	4	Screw (CARB. CHOKE PLATE)	64525.003	2725E-9A767-A	32	1	— Screw (CARB. FAST IDLE ADJUSTMENT)	64590.001	111642-ES8
7	2	Plate (CARB. CHOKE)	64010.007	2725E-9545-B	33	1	Spring (CARB. AUTO-CHOKE SHAFT)	47610.010	2725E-9A590-A
8	1	Shaft & lever assy (CARB. CHOKE)	10020.204	2725E-9546-A	34	1	Spacer (CARB. AUTO-CHOKE SHAFT)	55555.006	2725E-9714-A
9	1	Gasket (CARB COVER TO THROTTLE BODY)	41705.031	682-9519-A-A	35	1	0 * ring seal (CARB. AUTO-CHOKE BODY)	41565.008	116620-ES
10	1	Dust seal (CARB. AIR CLEANER)	52135.010	2725E-9B687-A	36	1	Nut (CARB. AUTO - CHOKE LEVER FIXING)	34705.001	114477-ES8
11	1	Gasket (CARB. FUEL INTAKE VALVE)	41535.015	116E-9B539	37	1	Washer-spring (CARB. AUTO - CHOKE LEVER - FIXING NUT)	55525.003	112511-ES8
12	1	Needle valve assy (CARB. FUEL INLET)	79515.	2725E-9564-A	38	1	Screw and washer assy (CARB. FAST IDLE LEVER PIVOT)	64700.014	220006-ES
13	1	Float assy (CARB.)	41015.004	2725E-9555-A	39	1	Lever (CARB. AUTO-CHOKE)	45032.006	2725E-9K737-A
14	1	Shaft (CARB. FLOAT LEVER)	52000.015	2725E-9556-A	40	1	Spacer (CARB. SHAFT RIGHT HAND)	12750.016	2725E-9K750-A
15	2	Split pin (CARB. AUTO CHOKE CONTROL ROD)	32610.006	119724-ES2	41	1	Spring (CARB. FAST IDLE LEVER)	47610.018	2725E-9L542-B
16	1	Rod (CARB. AUTO - CHOKE) OPERATING	61280.004	2725E-9K736-A	42	1	Washer (CARB. FAST IDLE LEVER PIVOT SCREW)	55510.013	250005-ES
17	2	Main Jet	73801.	2725E-9533-A	43	3	Screw & washer assy (CARB. AUTO-CHOKE COVER)	64700.007	111643-ES8
18	1	Plug (CARB. ACCELERATOR PUMP DISCHARGE)	61015.005	2725E-9L544-B	44	1	Cover (CARB. AUTO-CHOKE)	32384.001	2725E-9F594-A
19	1	Shaft (CARB. THROTTLE LEFT HAND)	10015.482	682F-9582-A-A	45	1	Spring (CARB. AUTO-CHOKE VACUUM DIAPHRAGM)	47600.003	2725E-9907-A
20	1	Shaft assy (CARB. THROTTLE RIGHT HAND)	10015.430	2725E-9582 C	46	1	Vacuum diaphragm and shaft assy (CARB. AUTO CHOKE)	47407.008	2725E-9L543-A
21	2	Plate (CARB. THROTTLE)	64005.011	2725E-9585-B					
22	4	Screw (CARB. THROTTLE PLATE)	64520.027	2725E-9E519-A					
23	1	Self-loading-spring (CARB.ACCEL.PUMP)	47600.107	2725E-9D598-A					
24	1	Diaphragm assy (CARB. ACCEL. PUMP)	47407.027	2725E-9B559-B					
25	1	Cover assy (CARB. ACCEL. PUMP)	32486.015	2725E-9508 B					
26	4	Screw & washer assy (ACCEL. PUMP COVER FIXING)	64700.004	113025-ES8					

Key Nr.	Q.ty	PART NAME	Ref. number		Key Nr.	Q.ty	PART NAME	Ref. number	
			WEBER	FORD				WEBER	FORD
47	1	Body assy (CARB. AUTO-CHOKE)	57804.001	2725E-9K728-A	72	1	Bushing (CARB. THROTTLE SHAFT)	12750.001	2725E-9B508-A
48	1	Shaft & lever assy (CARB. AUTO CHOKE)	10085.001	2725E-9L554-A	73	1	Washer-wave (CARB. THROTTLE SHAFT)	55530.002	112513-ES
49	1	Plate (CARB. AUTO-CHOKE SHAFT ADJUSTING)	52135.015	2725E-9L545-A	74	1	Lever (CARB. FULL THROTTLE) stop	45032.039	2725E-9L548-A
50	1	Screw (CARB. AUTO-CHOKE SHAFT ADJUSTING PLATE)	64520.001	111644-ES2	75	2	Washer (CARB. THROTTLE LEVER & SHAFT ASSY)	55555.016	113428-ES8
51	3	Screw & washer assy (AUTO CHOKE BODY TO CARB. THROTTLE BODY)	64700.008	111645-ES8	76	4	Bearing (CARB. THROTTLE SHAFT R. H. AND L. H.)	52130.010	2725E-9992-A
52	1	Gasket (CARB. AUTO-CHOKE BODY)	41640.005	2725E-9K729-A	77	1	Cover (CARB. GEARED SECTORS)	32464.001	2725E-9L549-A
53	1	Thermostat assy (CARB. AUTO-CHOKE)	57804.005	2725E-9K731-B	78	1	Sector-carb geared lh.	58202.003	2725E-9L547-A
54	1	Gasket (CARB. WATER CHAMBER TO THERMOSTAT ASSY)	41555.001	2725E-9K733-A	79	1	Lever (CARB. GEARED SECTOR ADJUSTING)	45025.024	2725E-9L550
55	1	Ring (CARB. THERMOSTAT ASSY) locking	52135.006	2725E-9K738-A	80	1	Spring-throttle control return-lh	47610.012	2725E-9B848-D
56	1	Water chamber (CARB. AUTO-CHOKE)	32444.002	2725E-9K732-B	81	2	Needle screw (CARB. IDLE ADJUSTMENT)	64750.001	116E-9541-B
57	1	Washer (CARB. WATER CHAMBER FIXING SCREW)	41530.002	112515-ES	82	2	Spring (CARB. IDLE ADJUSTING NEEDLE)	47600.007	116E-9578
58	1	Bolt (CARB. AUTO-CHOKE WATER CHAMBER)	64615.001	111646-ES8	83	2	Holder (IDLING JET)	52570.005	116E-9K509
59	3	Screw (CARB. THERMOSTAT ASSY TO AUTO-CHOKE BODY)	64615.005	111647-ES8	84	2	Idle jet	74403. *	2725E-9596-B
60	2	Split-pin (CARB. FAST IDLE ROD)	32610.006	119724-ES2	85	1	Gasket (CARB. NOZZLE BAR)	41530.012	116E-9926
61	1	Rod (CARB. FAST IDLE)	61280.041	2725E-9598-B	86	1	Accelerator pump jet	76212. *	2725E-9940-A
62	2	Nut (CARB. THROTTLE SHAFT)	34715.014	114212-ES	87	1	Valve assy (CARB. ACCELERATOR PUMP)	64290.005	2725E-9902-A
63	2	Lock washer (CARB. THROTTLE SHAFT)	55520.002	113431-ES	88	2	Air corrector jet	77201. *	2725E-9K511-B
64	1	Lever (CARB. THROTTLE)	45027.089	702F-9583-B-A	89	2	Emulsion tube	61440. *	2725E-9971-A
65	1	Screw (CARB. GEARED SECTOR COVER)	64610.004	111649-ES8	90	1	Washer-wave (CARB. AUTO CHOKE)	55530.005	110996-ES
66	1	Washer-spring (CARB. GEARED SECTOR COVER)	55525.007	253002-ES	91	1	Bush (CARB. FAST IDLING ADJUSTING LEVER)	12765.005	2725E-9L588-A
67	2	Screw (CARB. GEARED SECTOR ADJUSTING)	64615.003	111648-ES2	92	1	Power valve	64372.007	682F-9M597-A-A
68	2	Washer-external tooth (CARB. GEARED SECTOR ADJUSTING SCREW)	55535.001	112527-ES	93	1	Lever fixing screw	64700.014	220000-ES
69	2	Washer (CARB. GEARED SECTOR ADJUSTING SCREW)	55510.007	112516-ES2	94	1	Bushing for lever	12775.017	682F-9P516-A-A
70	1	Lever (CARB. FAST IDLING)	58202.011	2725E-9L546-B	95	1	Valve control lever	45101.019	682F-9H597-A-A
71	1	Sector-carb geared rh.	45039.003	2725E-9B792-B	96	1	Washer for lever	55510.029	EG30-171-571
					97	1	Spring for lever	47610.033	682F-9C355-A-A
					98	2	Split-pin for rod	32610.006	119724-ES2
					99	1	Valve control rod	61280.065	682F-9D597-A-A
					100	1	Right shaft return spring	47610.017	682F-9B848-A-A
					101	1	Dust seal plug	61070.002	692F-9D621-A-A

(*) Calibrated parts

† Parts supplied in Service Kit No. 93.0100.05

Gasket kit	92.0100.05	-
Tune up kit	92.1122.05	-
Master repair kit	92.2138.05	-

SETTING

Key Nr.	Q.ty	PART NAME	Ref. number		Setting in mm
			WEBER	FORD	
-	-	CHOKE TUBES (INTEGRAL)	-	-	28
-	-	FUEL DISCHARGE UNITS	-	-	4,50
17	2	MAIN JET	73801.180	2725E-9533-A	1,80
88	2	AIR CORRECTOR JETS	77201.185	2725E-9K511-B	1,85
89	2	EMULSION TUBES	61440.166	2725E-9971-A	F 2
84	2	IDLE JETS	74403.060	2725E-9596-B	0,60
86	1	ACCELERATOR PUMP JET	76212.050	2725E-9940-A	0,50
12	1	NEEDLE VALVE	79515.250	2725E-9564-A	2,50
-	-	FLOAT LEVEL SETTING	-	-	6 (**)

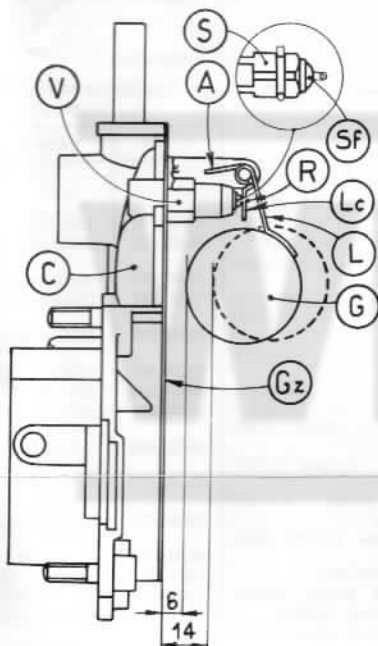
Messrs. E. WEBER do not answer for eventual working anomalies due to arbitrary modifications introduced into the above settings

(**) DIRECTIONS FOR LEVELLING THE FLOAT

It's essential that the following direction be complied with in order to obtain correct levelling of the float:

- Make sure that the weight of the float (G) is the correct one (gr. 11) that float can freely slide on the axis and doesn't show any pit.
- Make sure that needle valve (V) is tightly screwed in its housing and that pin ball (Sf) of the dampening device, incorporated in the needle (S), is not jammed.
- Keep the carburetor cover (C) in vertical position as indicated in the figure since the weight of the float (G) could lower the pin ball (Sf) fitted on the needle (S).
- With carburetor cover (C) in vertical position and float clip (Lc) in light contact with the pin ball (Sf) on the needle (S), the distance of float (G) from upper surface of carburetor cover (C) with gasket (Gz) must measure mm. 5,5 ÷ 6.
- After the levelling has been done, check that the stroke of float (G) is 8 mm. If necessary adjust the position of the lug (A).
- Check that return hook (R) of the needle (S) allows it free movement in its seat.
- Should the float (G) not be correctly placed, modify the position of the float tab (L) until the required point is reached, taking care that it does not have any indentations on the contact surface which might affect the free movement of the needle itself. Fit up the carburetor cover making sure that float can move without any hindrance or friction.

NOTE - The operations of levelling the float must be carried out whenever it is necessary to replace float or fuel inlet needle valve: in this last case it is advisable to replace also the sealing gasket, making sure that the new needle valve is tightly screwed in its housing.



WEBER CARBURETTORS CONCESSIONAIRES (U.K.) LTD.

Dolphin Road, Sunbury, Middlesex Telephone: Sunbury (09327) 88805 Telex: 928636

40 DFAV 11/81