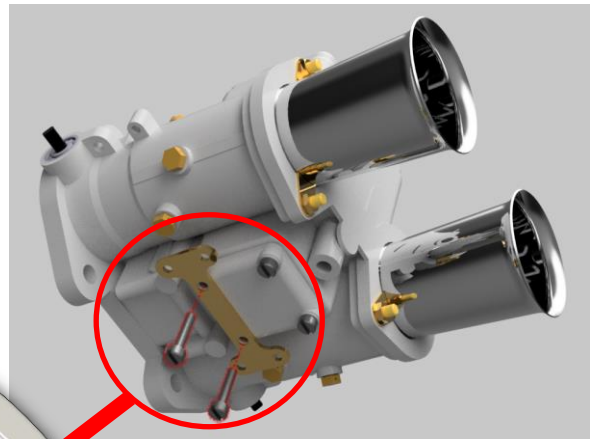


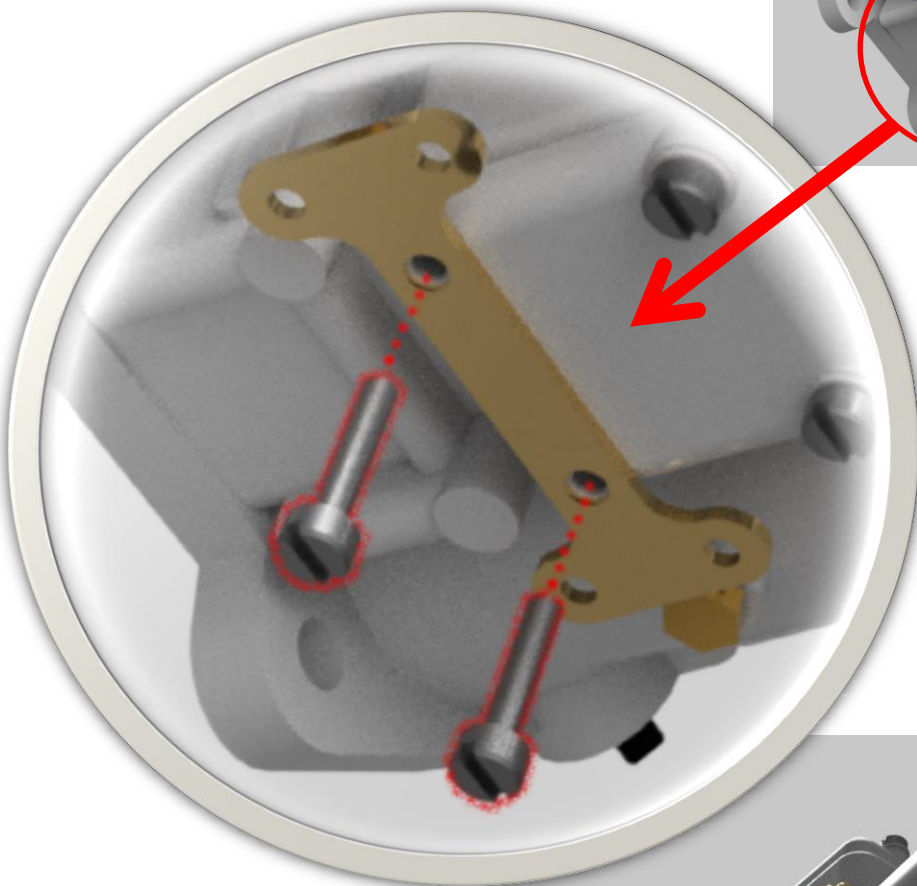
## Heat shield – fitting instructions

Locate and remove the two screws nearest to the manifold that retain bottom cover. Put the shield holder in place and refit screws.



Attach carburetor to the manifold.

There are two versions of heat shield available – designed for hard and soft mount. Correct version has to be used respectively.



After mounting the carburettor to the manifold, you can fit the heat shield.

Remove protective foil from shield.

Use the four Allen screws to attach it to the holder.

Thank you for purchase.

